

GADA

Boti de Dominicis Studio

^(ENG) An extremely versatile industrial-looking luminaire that illuminates without disruption. Suspended above work or social spaces, Gada possesses perfect balance. On the level, symmetry is satisfied. Tilted, it shows a playful side while keeping its efficiency. ^(ESP) Una lámpara ligera de aire industrial y extremadamente polivalente que ilumina sin molestar. Suspendida en espacios de trabajo o reunión, Gada posee un equilibrio perfecto. En posición horizontal proporciona una bonita simetría e inclinada muestra su faceta más informal sin perder su funcionalidad.





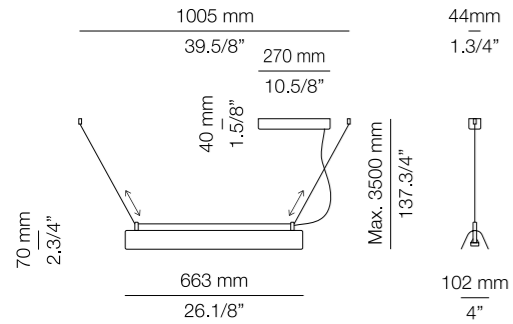


(ENG) In white by default, the entire collection is designed to adjust to the style of each room with the possibility of customizing the suspension and the table lamp with three different vinyl finishes that mimics the look and textures of wood, marble and concrete. (ESP) Es originalmente blanca, pero toda la colección está pensada para adaptarse al estilo de cada estancia con la posibilidad de personalizar el modelo de suspensión y la lámpara de sobremesa en tres acabados vinílicos distintos que recrean el efecto y las texturas de la madera, el mármol y el hormigón.



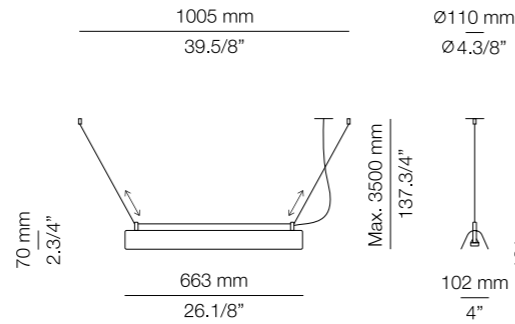
T-3924S

LED 15,5W
(3000K / Ang.90° / >90CRI
500mA) 230V / Typ* 2515 lumens
Non Dimmable



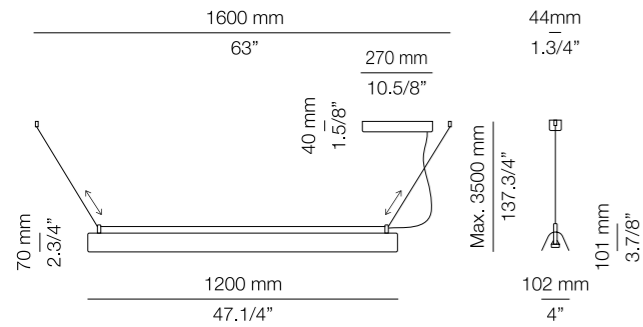
T-3924R

LED 15,5W
(3000K / Ang.90° / >90CRI
500mA) 230V / Typ* 2515 lumens
Non Dimmable



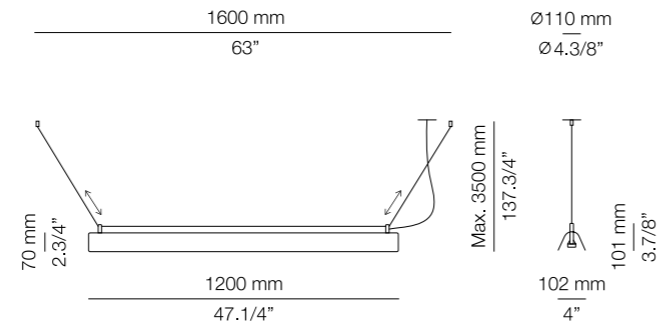
T-3925S

LED 21,5W
(3000K / Ang.90° / >90CRI
700mA) 230V / Typ* 3460 lumens
Non Dimmable



T-3925R

LED 21,5W
(3000K / Ang.90° / >90CRI
700mA) 230V / Typ* 3460 lumens
Non Dimmable



Finish

- 50 MM (Marble textured vinyl)
- 51 CT (Concrete textured vinyl)
- 52 WD (Wood textured vinyl)
- 74 WH (white metal)

Additional

We offer custom finishes, sizes, and alternate lamping for projects.

Photographs may show non-standard products.



Offices JCM Technologies

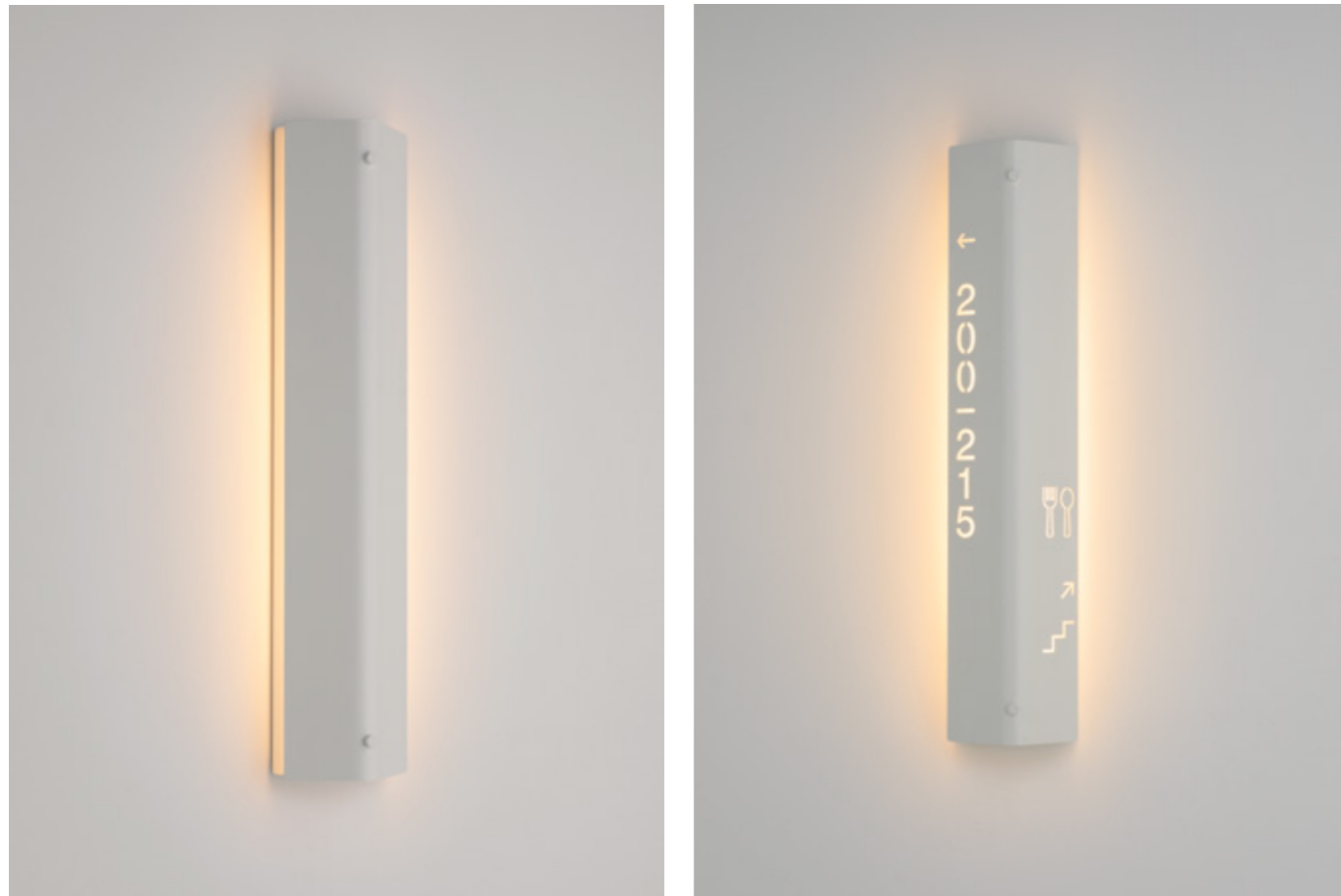




Hotel Yurbban Passage by @raquelisogorb

(ENG) The simplicity of its aspect also makes Gada a sophisticated desk or table lamp. Its intense illumination provides glare-free, comfortable light.
(ESP) La sencillez de su diseño convierte a Gada en una sofisticada lámpara de sobremesa con mucha personalidad y proporciona una luz confortable que ilumina sin deslumbrar.





Hotel Yurbban Passage by @raquelsogorb



^(ENG) Gada lends itself perfectly to wall sconces, casting a penumbra of light effortlessly and efficiently. Signage can be seamlessly incorporated into the design, with custom perforations for easy-to-read directions and information. ^(ESP) Gada se integra perfectamente como aplique, proyectando su luz elegantemente a la pared. Su diseño permite incorporar señalización con información personalizada y fácil de leer.

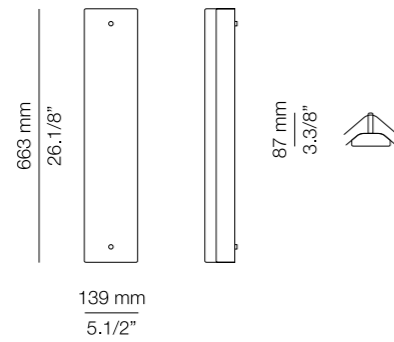
A-3921

LED 15,5W
(3000K / Ang.90° / >90CRI
500mA) 230V / Typ* 2515 lumens
Non Dimmable

Additional

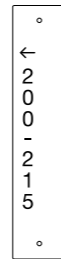
We offer custom finishes, sizes, and alternate lamping for projects.

Photographs may show non-standard products.



Contract option

Wall light with laser cut signage



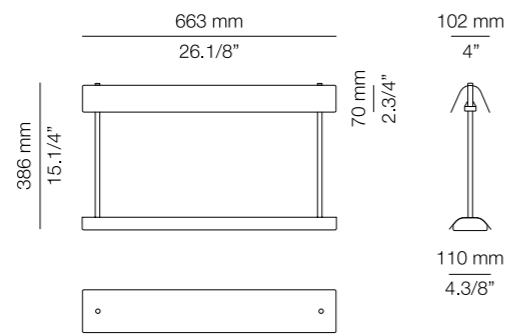
M-3927

LED 15,5W
(3000K / Ang.90° / >90CRI
500mA) 230V / Typ* 2515 lumens
On/Off switch on the base

Additional

We offer custom finishes, sizes, and alternate lamping for projects.
Contract option minimum quantity required.

Photographs may show non-standard products.



Finish

- 50 MM (Marble textured vinyl)
- 51 CT (Concrete textured vinyl)
- 52 WD (Wood textured vinyl)
- 74 WH (White metal)



Sancal furniture. Interior design @santacruzarquitectura. Photo @davidfrutos_fotografia

